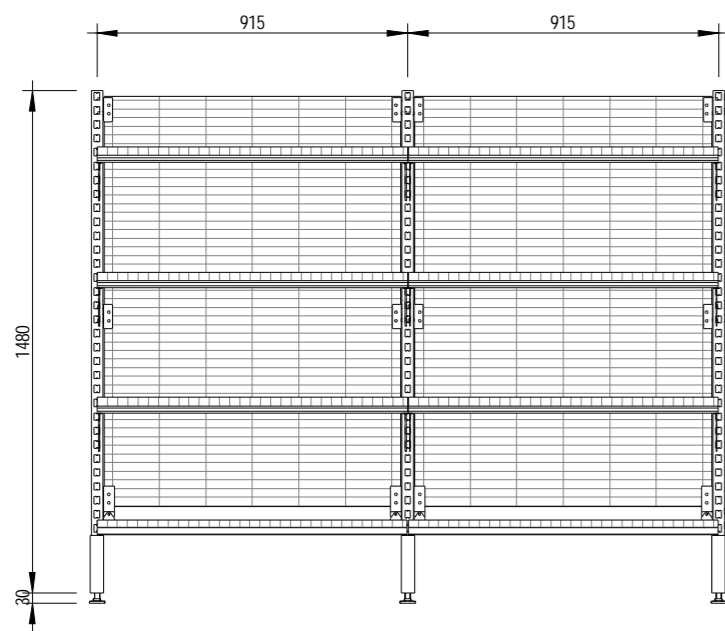
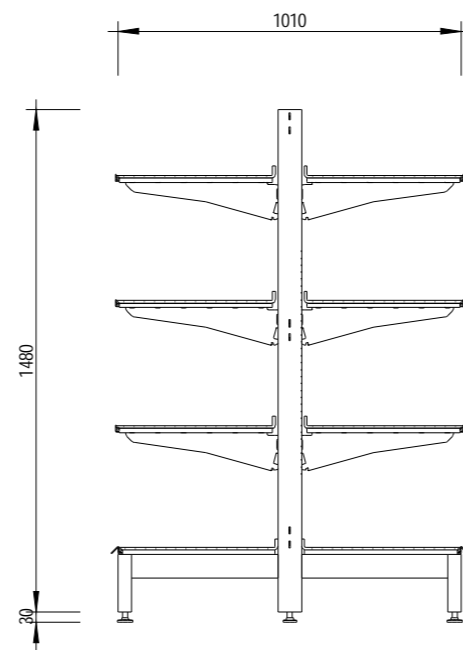


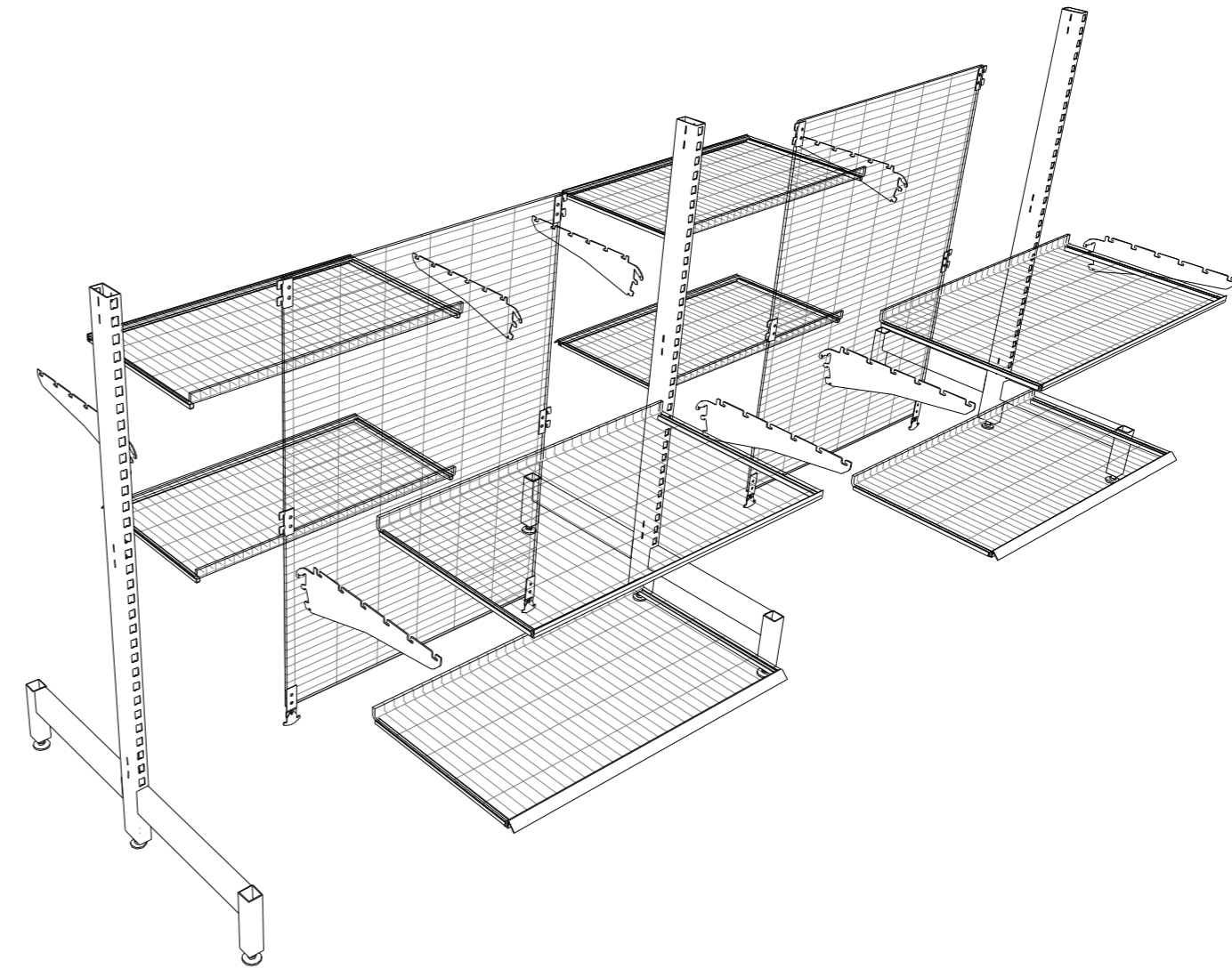
1 **Plan**
1 : 20



2 **Side Elevation**
1 : 20



3 **End Elevation**
1 : 20



4 **3D Assembly**

Low Aisle Gondola Shelving Bay

r+ud
retail & urban design: design | documentation | management
a: 51 sydney road coburg victoria 3058 australia p: +613 9386 1200 f: +613 8679 4425
e: info@rud.net.au w: rud.net.au



Frame Works AFM
quality shelving solutions

AFM Engineering Pty LTD
Suite 1/46 Hartnell Drive, Seaford - VIC 3198 - Australia
PO Box 3105, Bentons Square, Mornington - VIC 3931
P 03 9786 0629 F 03 9786 3183 M 0408 255 162
www.frame-works.com.au E r.molyneux@frame-works.com.au