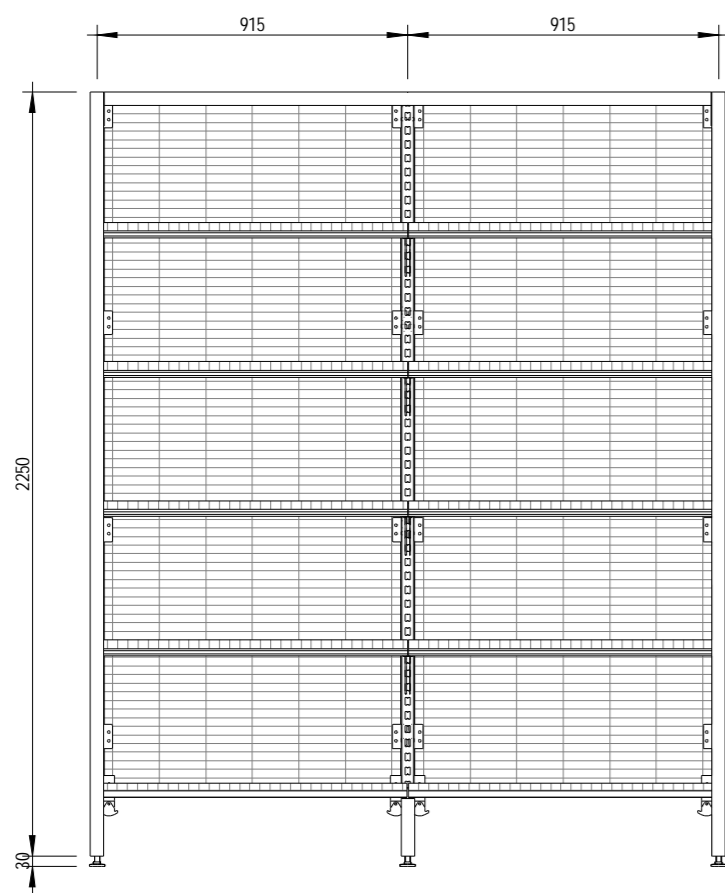
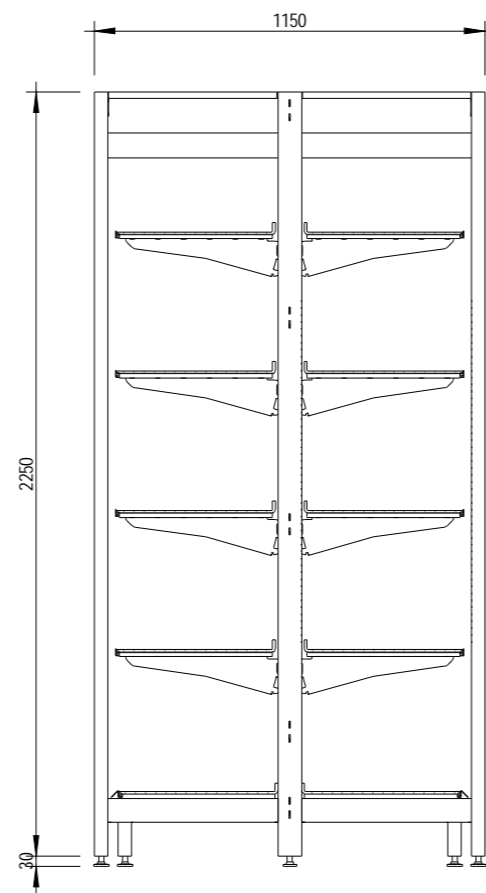


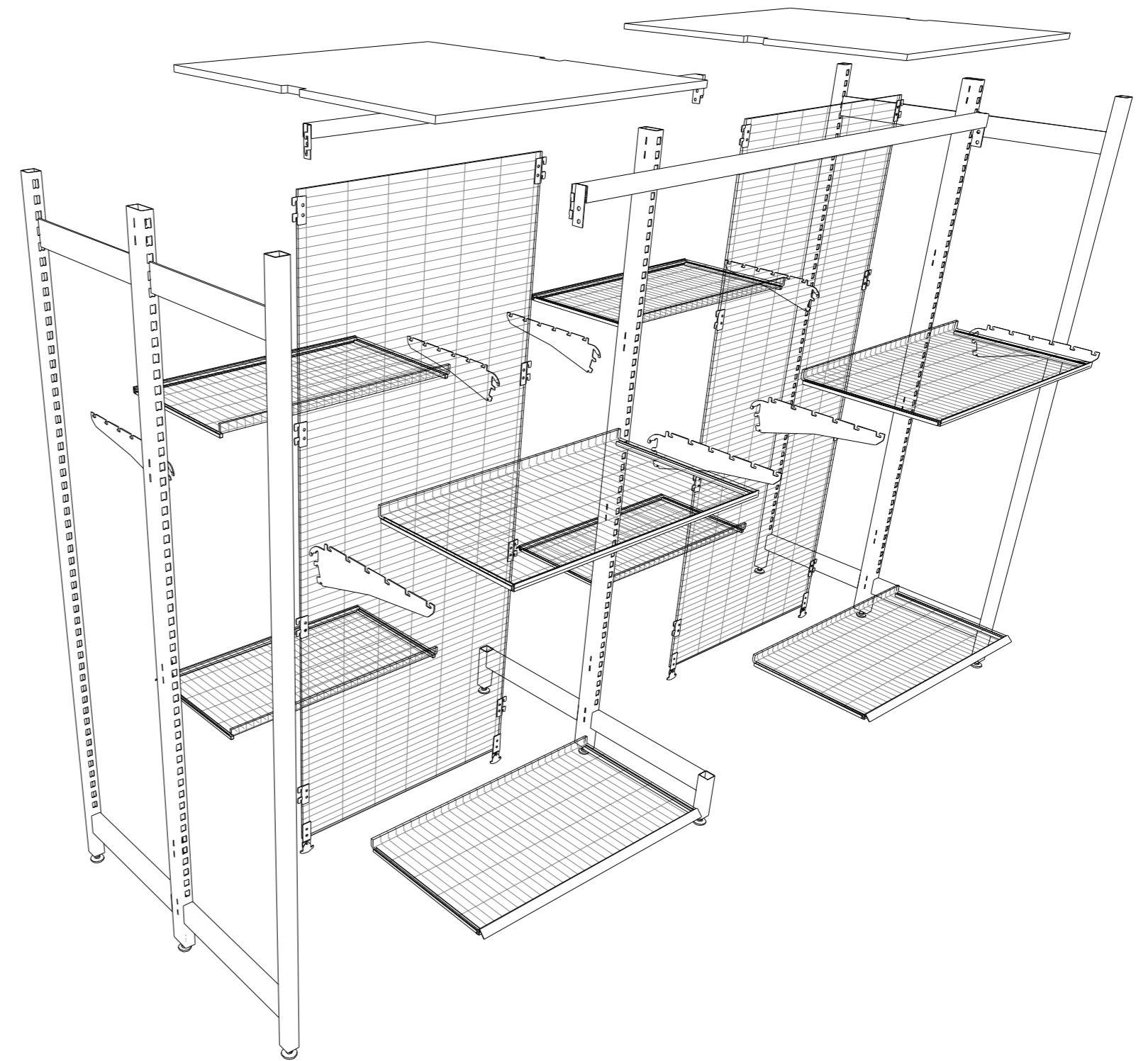
1 **Plan**  
1 : 20



2 **Side Elevation**  
1 : 20

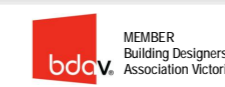


3 **End Elevation**  
1 : 20



4 **3D Assembly**

### Aisle Gondola Shelving Bay



AFM Engineering Pty LTD  
 Suite 1/46 Hartnell Drive, Seaford - VIC 3198 - Australia  
 PO Box 3105, Bentons Square, Mornington - VIC 3931  
 P 03 9786 0629 F 03 9786 3183 M 0408 255 162  
 www.frame-works.com.au E r.molyneux@frame-works.com.au